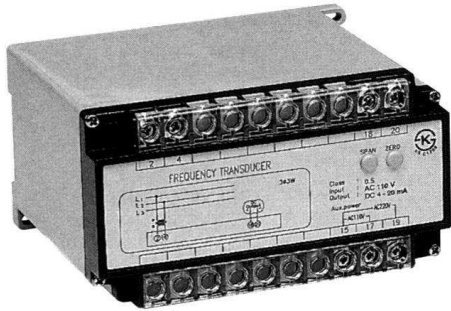


FREQUENCY TRANSDUCER

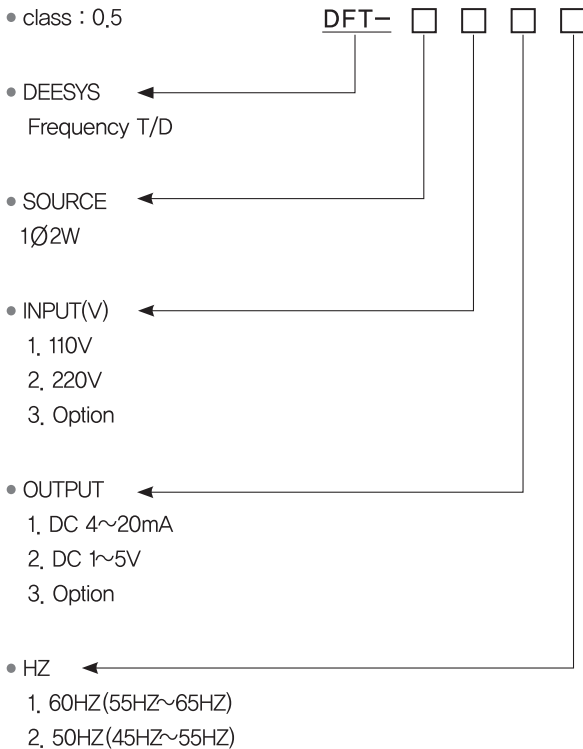


- High accuracy 0,5%
- Excellent long term stability.
- High magnetic field immunity.
- Outstanding overload and temperature performance.
- Stability : Maximum 0,04%/°C

Description

DEESYS frequency transducers are demonstrated in a narrow frequency band and very suitable to detect the deviation from center frequency.

Ordering procedure



Standard product

Model	Output	Source
DFT-1111	DC 4~20mA	1Ø
DFT-1121	DC 4~20mA	
DFT-1211	DC 4~20mA	
DFT-1221	DC 4~20mA	

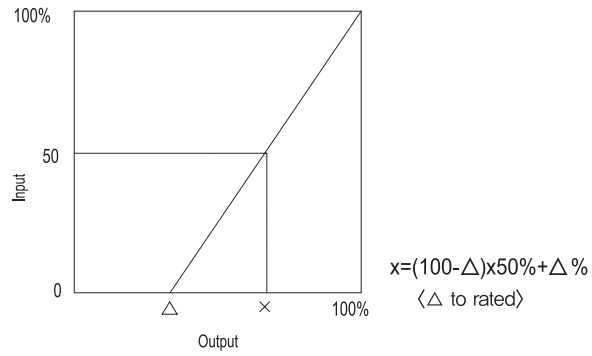
Order made is available except for standard products.

Output/Load resistance

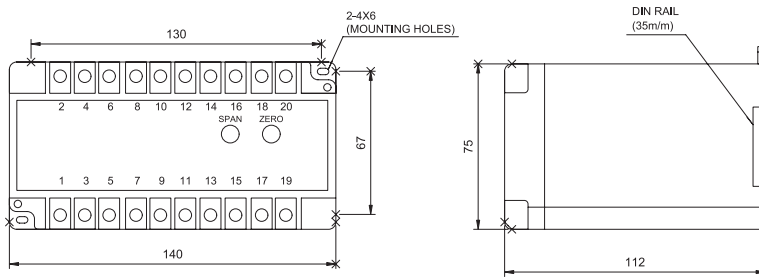
Output	Load Compliance Ω
4~20mA	≤ 500
1~5V	$\leq 1K$

Installation and operation

Output Linearity



Mounting and dimension



Connection diagram

