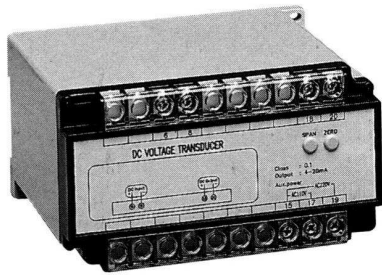


ISOLATOR/TEMPERATURE TRANSDUCER



- High accuracy 0.2%(only RTD/2.0%)
- Excellent long term stability.
- Meets IEEE SWC test.
- Stability : Maximum 0.02%/°C

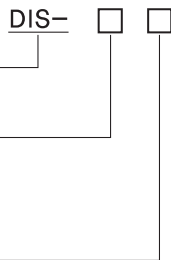
Description

DEESYS Isolator transducer is used for isolating DC circuit and among various sensor insulation, converting DC input to other DC input.

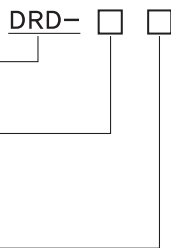
Temperature transducers(RTD) which utilize the resistance variation are designed to accept temperature measure resistance meter output and provide proportional temperature output.

Ordering procedure

- class : 0,2
- DEESYS Isolator T/D
- INPUT
 1. DC 4~20mA
 2. DC 1~5V
 3. Option
- OUTPUT
 1. DC 4~20mA
 2. DC 1~5V
 3. Option



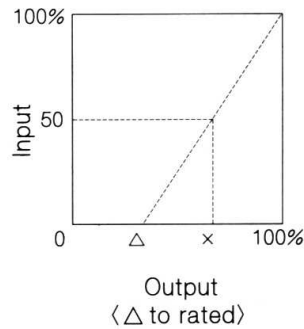
- class : 0,2
- DEESYS Temperature T/D
- Temperature range
 1. 0~100°C / 2. 0~150°C
 3. 0~300°C / 4. Option
- OUTPUT
 1. DC 4~20mA
 2. DC 1~5V
 3. Option



Output/Load resistance

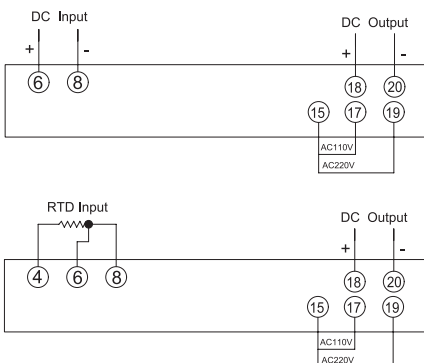
Output	Load Compliance Ω
4~20mA	≤ 500
1~5V	$\leq 1K$

Output linearity



$$x = (100 - \Delta) \times 50\% + \Delta[\%]$$

Connection diagram



Mounting and dimension

