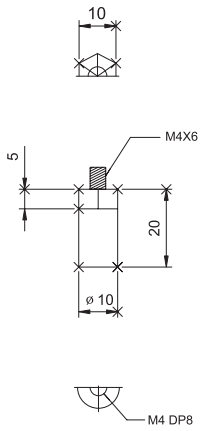


EPOXY RESIN INSULATORS(O.6KV)

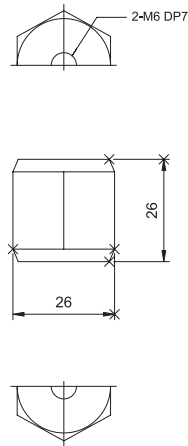


• It's using for low voltage circuit as Epoxy Resin Insulator with Epoxy Resin for the insulation of control panel and Switchgear panel etc.

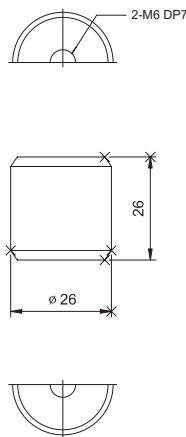
LGD-2010



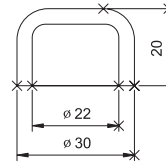
LGD-266



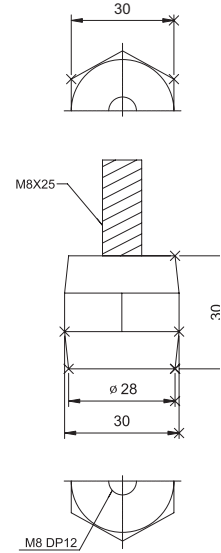
LGD-260



LGD-C30



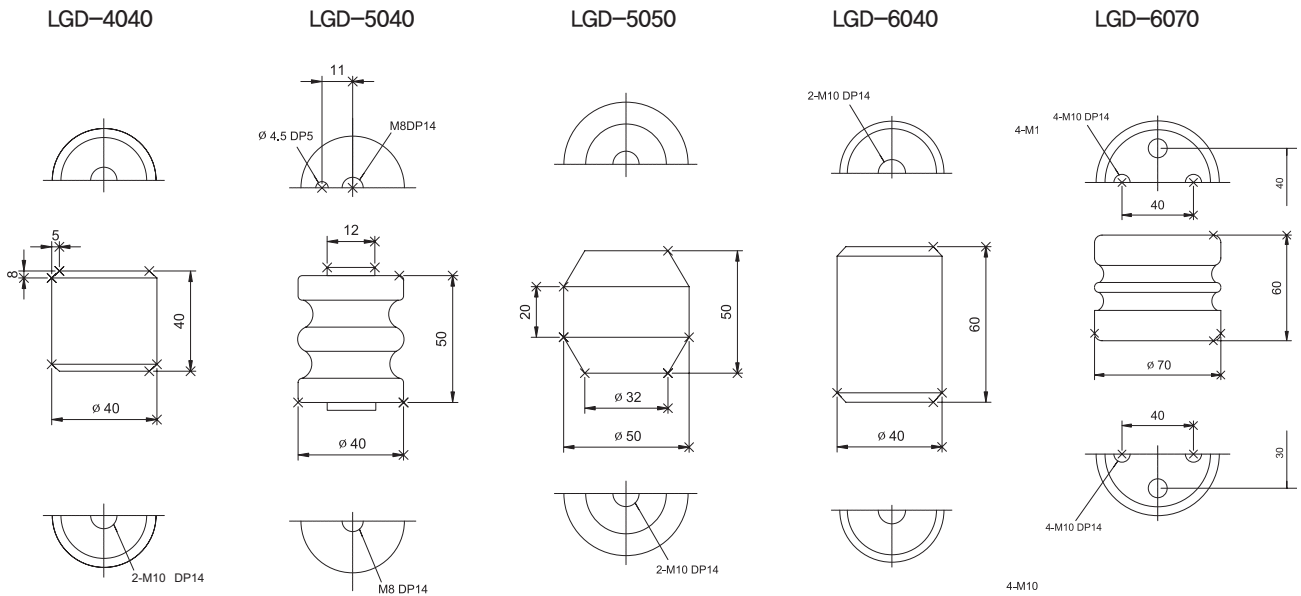
LGD-3030



Rating

Contents	Type	LGD-2010	LGD-266	LGD-260	LGD-C30	LGD-3030
Rated Voltage	(kv)	0.6	0.6	0.6	-	0.6
Power Frequency Withstand Voltage	(kv)	-	-	-	-	-
Impulse Withstand Voltage	(kv)	-	-	-	-	-
Power Frequency Flashover Voltage	(kv)	-	-	-	-	-
Impulse flashover Voltage	(kv)	-	-	-	-	-
Tensile Sterngth	(kg)	-	-	-	-	-
Bending Sterngth	(kg)	-	30	30	-	30
Net Weight	(kg)	-	0.03	0.03	-	0.03
Leakage Distance	(mm)	-	26	26	-	26
Insulation Level		-	-	-	-	-
Remark		-	-	-	-	-

- It's using for low voltage circuit as Epoxy Resin Insulator with Epoxy Resin for the insulation of control panel and Switchgear panel etc.



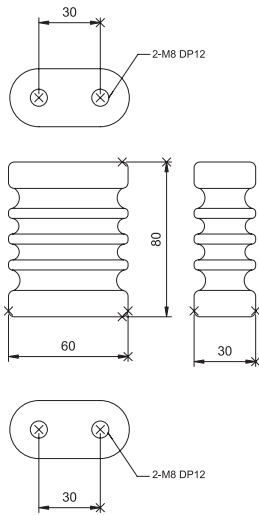
Rating

Contents	Type	LGD-4040	LGD-5040	LGD-5050	LGD-6040	LGD-6070
Rated Voltage	(kv)	0.6	0.6	0.6	0.6	0.6
Power Frequency Withstand Voltage	(kv)	-	-	-	-	-
Impulse Withstand Voltage	(kv)	-	-	-	-	-
Power Frequency Flashover Voltage	(kv)	-	-	-	-	-
Impulse flashover Voltage	(kv)	-	-	-	-	-
Tensile Strength	(kg)	600	500	1200	500	1200
Bending Strength	(kg)	60	60	200	60	360
Net Weight	(kg)	0.14	0.13	0.07	0.18	0.55
Leakage Distance	(mm)	40	57	60	60	65
Insulation Level		-	-	-	-	-
Remark		-	-	-	-	-

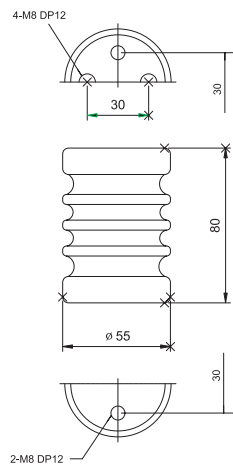
EPOXY RESIN INSULATORS(7.2KV)

- It's using for High voltage circuit as Epoxy Resin Insulator with Epoxy Resin for the insulation of control panel and Switchgear panel etc.
- It's superior with its durability electrically and mechanically..

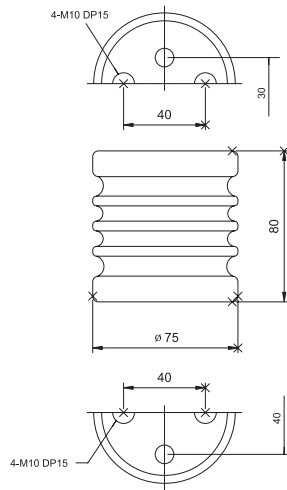
LGD-8030



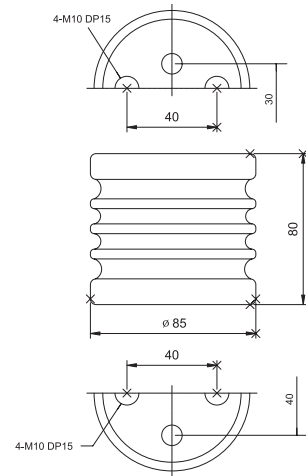
LGD-8055



LGD-8075



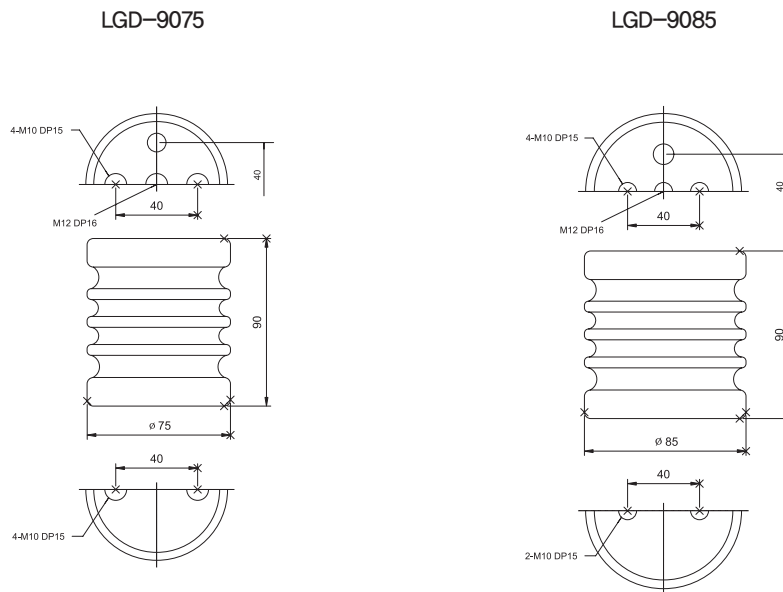
LGD-8085



Rating

Contents	Type	LGD-8030	LGD-8055	LGD-8075	LGD-8085
Rated Voltage	(kv)	7.2	7.2	7.2	7.2
Power Frequency Withstand Voltage	(kv)	22	22	22	22
Impulse Withstand Voltage	(kv)	60	60	60	60
Power Frequency Flashover Voltage	(kv)	50	50	50	50
Impulse flashover Voltage	(kv)	80	80	80	80
Tensile Sterngth	(kg)	210	600	1200	2000
Bending Sterngth	(kg)	60	180	360	720
Net Weight	(kg)	0.25	0.39	0.77	0.95
Leakage Distance	(mm)	110	110	122	127
Insulation Level		6A	6A	6A	6A
Remark		EIB6A2	EIB6A2	EIB6A2	EIB6A2

- It's using for High voltage circuit as Epoxy Resin Insulator with Epoxy Resin for the insulation of control panel and Switchgear panel etc.
- It's superior with its durability electrically and mechanically.

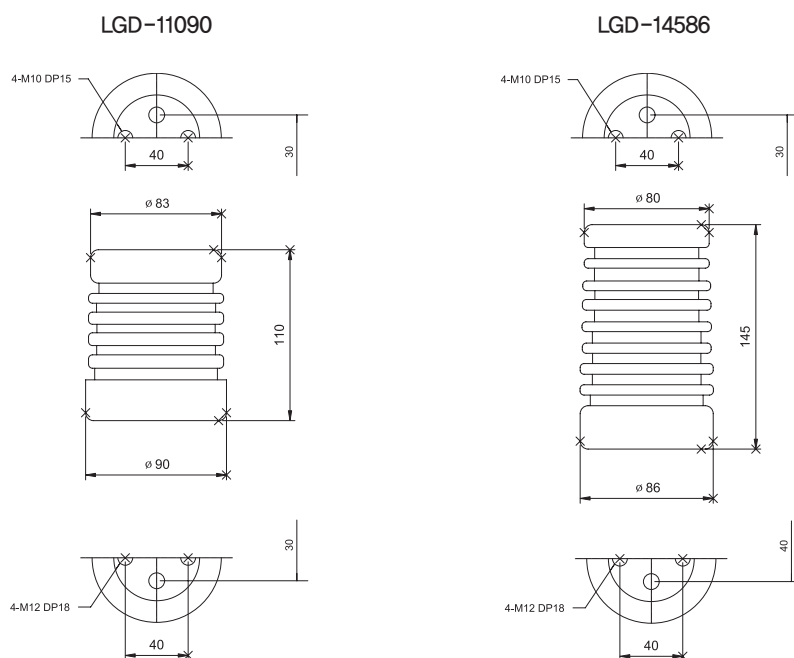


Rating

Contents	Type	LGD-9075	LGD-9085
Rated Voltage	(kv)	7.2	7.2
Power Frequency Withstand Voltage	(kv)	22	22
Impulse Withstand Voltage	(kv)	60	60
Power Frequency Flashover Voltage	(kv)	55	50
Impulse flashover Voltage	(kv)	90	90
Tensile Sterngth	(kg)	1200	2000
Bending Sterngth	(kg)	360	720
Net Weight	(kg)	0.78	0.88
Leakage Distance	(mm)	132	137
Insulation Level		6A	6A
Remark		-	-

EPOXY RESIN INSULATORS(12KV)

- It's using for High voltage circuit as Epoxy Resin Insulator with Epoxy Resin for the insulation of control panel and Switchgear panel etc.
- It's superior with its durability electrically and mechanically

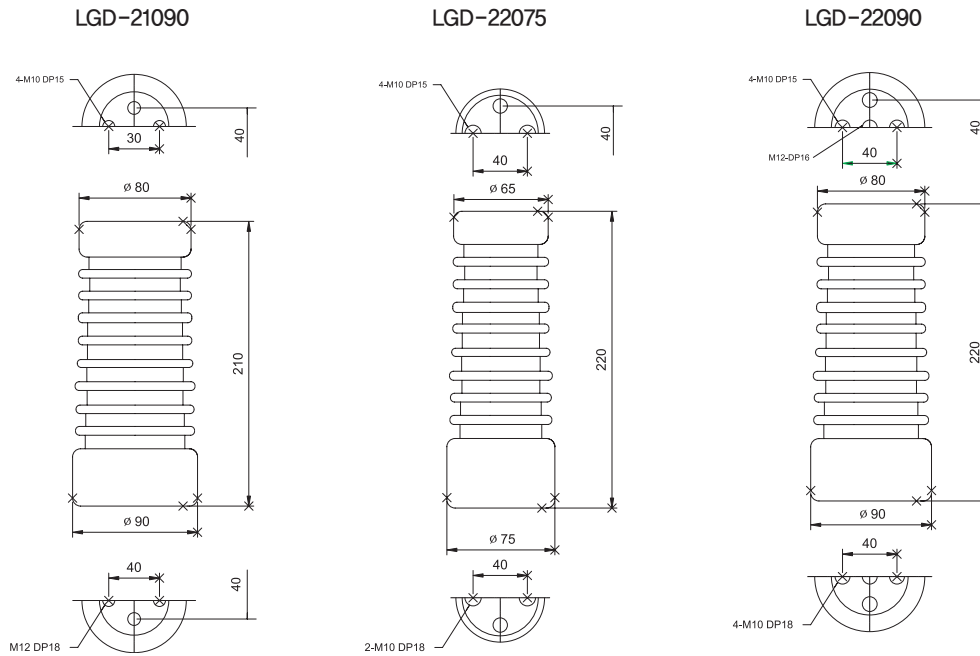


Rating

Contents	Type	LGD-11090	LGD-14586
Rated Voltage	(kv)	12	12
Power Frequency Withstand Voltage	(kv)	28	28
Impulse Withstand Voltage	(kv)	70	70
Power Frequency Flashover Voltage	(kv)	70	70
Impulse flashover Voltage	(kv)	120	120
Tensile Sterngth	(kg)	2000	2000
Bending Sterngth	(kg)	900	600
Net Weight	(kg)	1.59	1.58
Leakage Distance	(mm)	170	192
Insulation Level		10B	10A
Remark		EIJ10B2	EIJ10B2

EPOXY RESIN INSULATORS(24KV)

- It's using for extra-high voltage circuit as Epoxy Resin Insulator with Epoxy Resin for the insulation of control panel and Switchgear panel etc.
- It's superior with its durability electrically and mechanically.

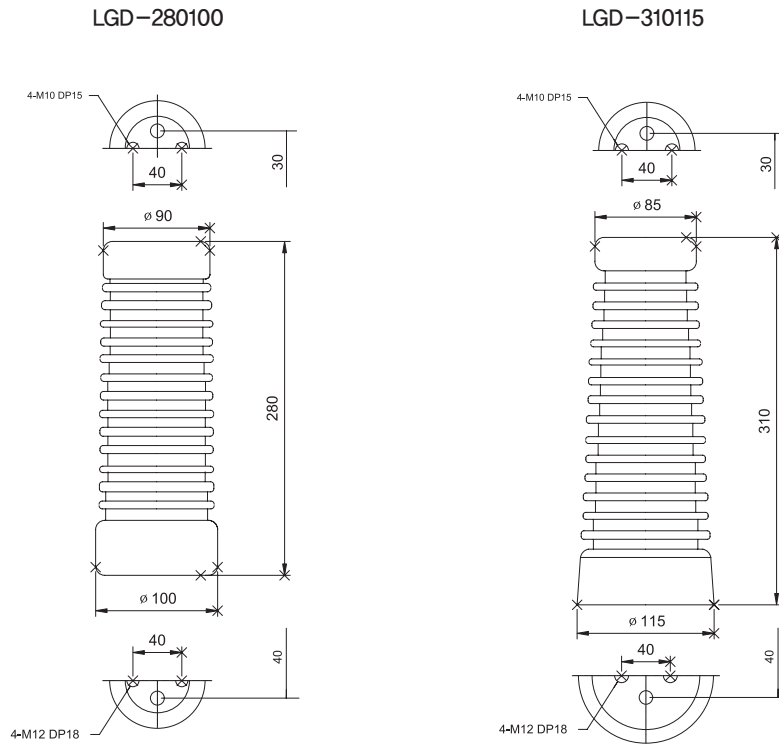


Rating

Contents	Type	LGD-21090	LGD-22075	LGD-22090
Rated Voltage	(kv)	24	24	24
Power Frequency Withstand Voltage	(kv)	50	50	50
Impulse Withstand Voltage	(kv)	125	125	125
Power Frequency Flashover Voltage	(kv)	115	115	115
Impulse flashover Voltage	(kv)	170	170	170
Tensile Sterngth	(kg)	2000	1500	2000
Bending Sterngth	(kg)	600	240	600
Net Weight	(kg)	2.12	1.49	2.22
Leakage Distance	(mm)	330	340	340
Insulation Level		20B	20B	20B
Remark		EIG20B4	EIG20B4	EIG20B4

EPOXY RESIN INSULATORS(24,36KV)

- It's using for High voltage circuit as Epoxy Resin Insulator with Epoxy Resin for the insulation of control panel and Switchgear panel etc.
- It's superior with its durability electrically and mechanically.



Rating

Contents	Type	LGD-280100	LGD-310115
Rated Voltage	(kv)	24	36
Power Frequency Withstand Voltage	(kv)	60	70
Impulse Withstand Voltage	(kv)	150	170
Power Frequency Flashover Voltage	(kv)	140	150
Impulse flashover Voltage	(kv)	150	170
Tensile Sterngth	(kg)	2000	2000
Bending Sterngth	(kg)	600	600
Net Weight	(kg)	4,3	5,2
Leakage Distance	(mm)	396	485
Insulation Level		20A	30B
Remark		EIG20A2	EIG20A2