

SHUNT (VOLTAGE DROP 50MV~100MV)

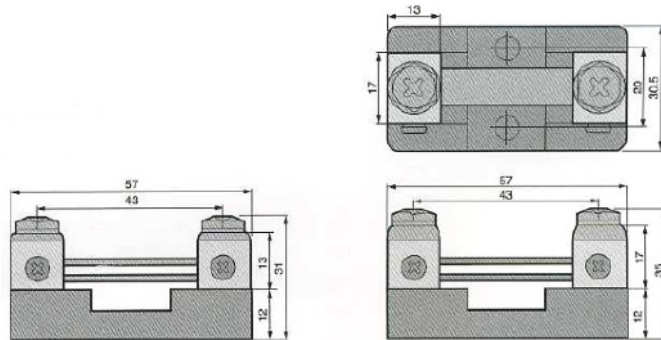
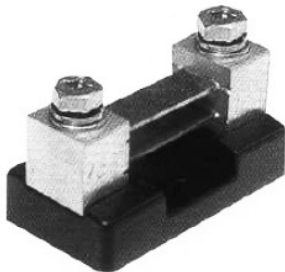
Shunt Rating

Applied standards	2ry(V)	Class	Temp' range
KSC 1705	50mV, 60mV, 100mV	0.1, 0.2 0.5, 1.0	rating current 100% 80'c rating current 80% 80'c

※ Order made for above 100mv of 2nd voltage

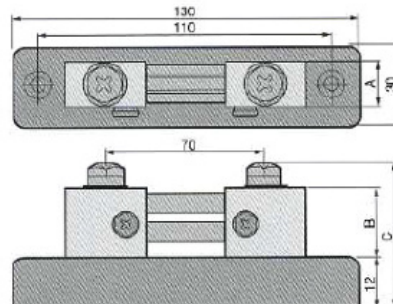
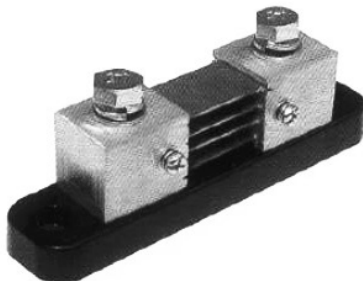
DST 1

1~90A (50~60mV)
Class $\pm 0.5\%$, $\pm 1.0\%$



DST 2

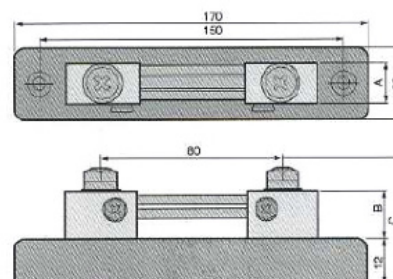
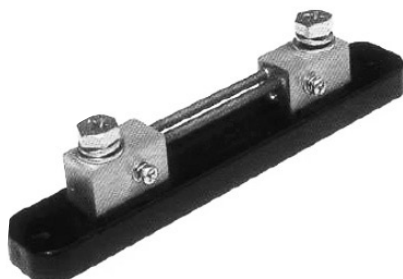
1~300A (50~60mV)
Class $\pm 0.5\%$, $\pm 1.0\%$



1ry(A)	A	B	C
~ 100	17	13	31
~ 150	17	17	35
~ 200	25	17	35
~ 250	25	20	38
~ 300	25	25	43

DST 3

1~300A (50~200mV)
Class $\pm 0.2\%$, $\pm 0.5\%$, $\pm 1.0\%$



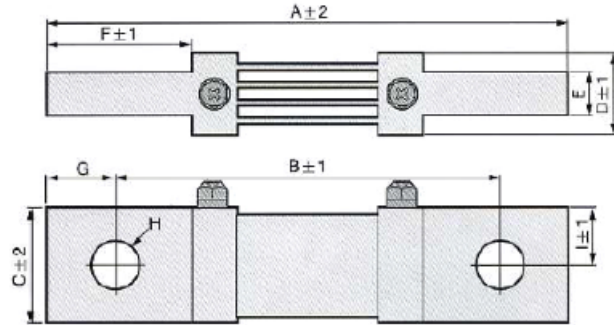
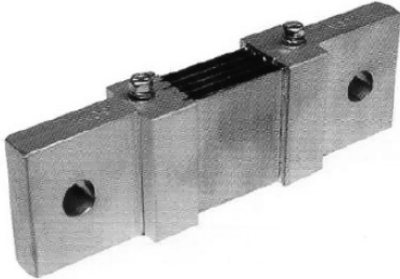
1ry(A)	A	B	C
~ 100	17	13	35
~ 150	17	17	35
~ 200	25	17	35
~ 250	25	20	38
~ 300	25	25	43

SHUNT (VOLTAGE DROP 50MV~100MV)

DST 4~7

350~8000A (50~100mV)

Class $\pm 0.2\%$, $\pm 0.5\%$, $\pm 1.0\%$



50mV

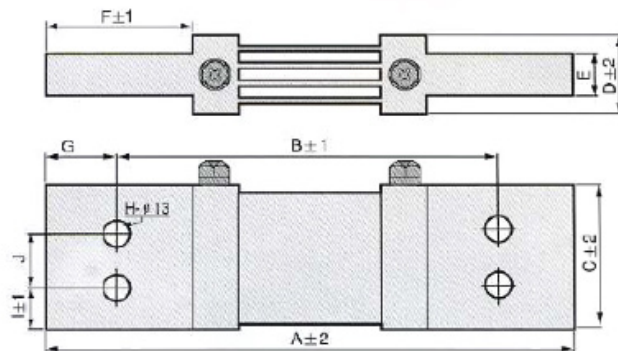
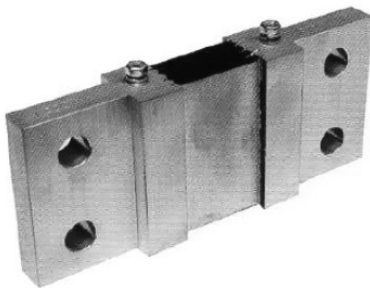
1ry(A)	A	B	C	D	E	F	G	H	I
350	160	120	32	25	13	45	20	13 ϕ X 2	16
400	160	120	36	25	13	45	20	13 ϕ X 2	18
500	160	120	42	25	13	45	20	13 ϕ X 2	20
600	160	120	46	25	13	45	20	13 ϕ X 2	23
750	170	130	54	30	15	45	20	13 ϕ X 2	27
800	170	130	58	30	15	45	20	13 ϕ X 2	29

Option

DST 10~30

1000~2000A (50~100mV)

Class $\pm 0.5\%$, $\pm 1.0\%$



50mV

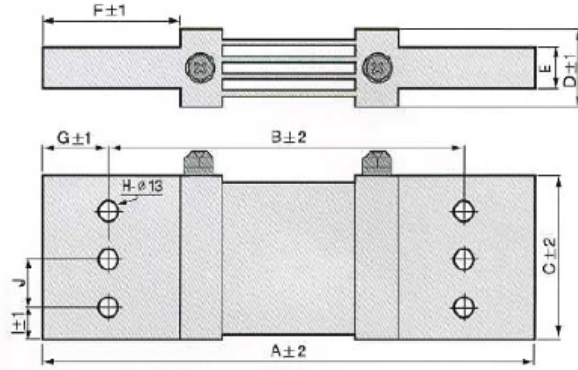
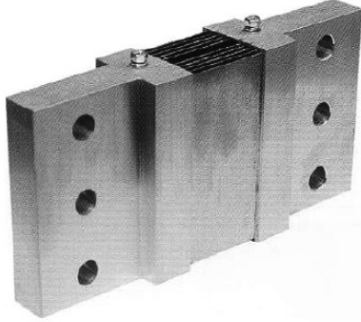
1ry(A)	A	B	C	D	E	F	G	H	I	J
1000	170	130	72	30	15	45	20	13 ϕ X 4	11	50
1200	170	130	86	30	15	45	20	13 ϕ X 4	18	50
1500	200	160	78	40	20	65	30	13 ϕ X 4	14	50
2000	200	160	102	40	20	65	30	13 ϕ X 4	22	60

Option

DST 25~30

2500~3000A (50~100mV)

Class $\pm 1.0\%$



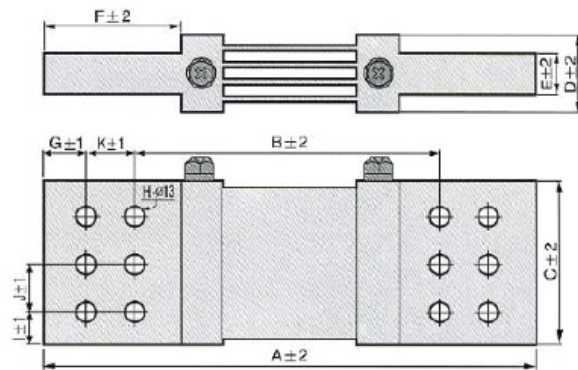
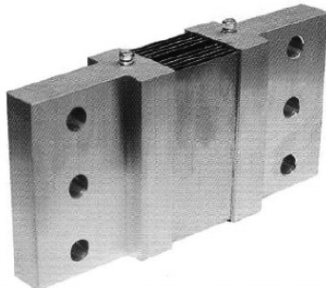
50mV

1ry(A)	A	B	C	D	E	F	G	H	I	J
2500	230	170	100	40	25	65	30	13 ϕ X6	20	30
3000	230	170	120	40	25	65	30	13 ϕ X6	20	40
Option										

DST 40~50

2500~5000A (50mV)

Class $\pm 1.0\%$



50mV

1ry(A)	A	B	C	D	E	F	G	H	I	J	K
4000	280	160	102	80	30	90	30	13 ϕ X12	21	30	30
5000	290	170	102	100	35	90	30	13 ϕ X12	21	30	30
Option											